



ABOVE-GROUND POOL PUMP SERIES

The Power-Flo II is a versatile, self-priming pump designed to meet the varying specifications of above-ground and on-ground swimming pools.

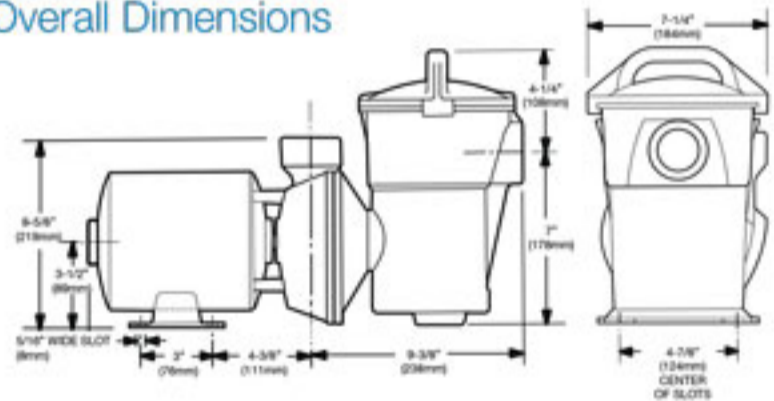
The Power-Flo II incorporates features usually found only on higher priced in-ground pumps such as self-priming ability, a large 91 cubic-inch strainer basket, a heavy duty motor with stainless steel shaft, and a quick-release "see-thru" strainer cover.

Durable and economical, the Power-Flo II continues to set the standard for value and performance for above-ground pumps.

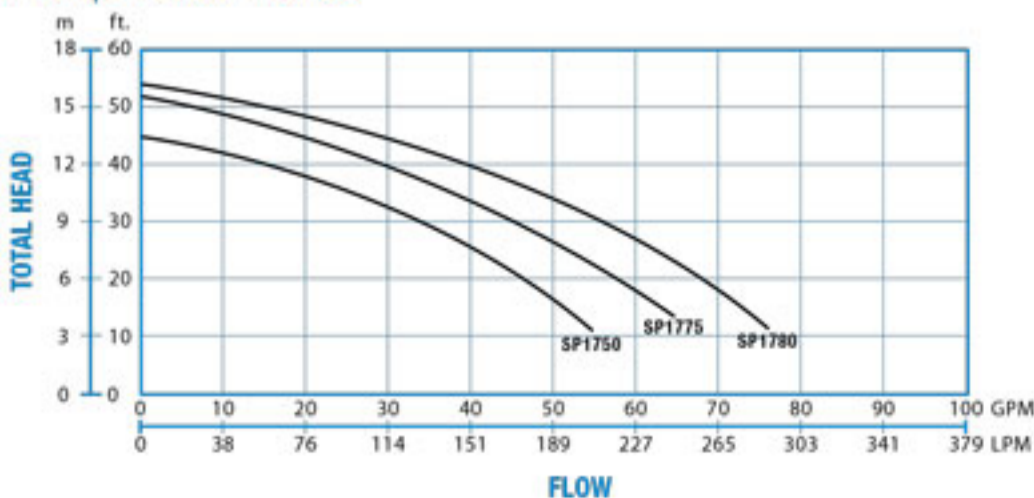
Power-Flo II Specifications

Model	Motor HP	Power KW	Inlet/Outlet
SP1750	1/2	0.37	1 1/2"
SP1775	3/4	0.56	1 1/2"
SP1780	1	0.75	1 1/2"

Overall Dimensions



Pump Performance



Super-size 91-cubic-inch basket has extra leaf-holding capacity and extends time between cleanings. Rigid construction with load-extender ribbing ensures free-flowing operation for heavy debris loads.